

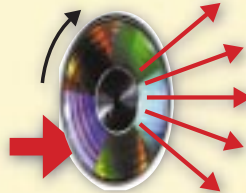
*CTP offers commercial printers new ways to satisfy the needs of key clients. By optimizing press output and delivering higher quality images, ECRM CTP provides the ultimate competitive edge*

## Tigercat CTP System



The ECRM Tigercat CTP system presents a new opportunity in the 4-page commercial printing market. Combining unprecedented value with the highest level of image quality, complete automation and daylight operation, Tigercat easily outstrips any opposition. Backed by ECRM reliability, a small footprint and simple integration into any digital workflow, Tigercat is the most versatile, high-value CTP solution on the market.

Tigercat meets your customers' quality requirements through the use of two ECRM technologies: patented holographic imaging - a spinning holographic disc sweeps the imaging laser five times per revolution delivering high quality at high speed; plate automation - an innovative curved bed makes plate



handling much easier than conventional drum designs and consistently delivers high repeatability.

**Quality** - Tigercat helps maintain and build your customer base by ensuring cleaner and crisper printing.

Direct imaging provides sharper images and finer control over highlights and shadows.

**Versatility** - Tigercat is built to be flexible, imaging a full range of silver and photopolymer metal plates for 2-page and 4-page presses. With a selection of resolutions, and a choice of lasers it can be

configured for any commercial applications.

**Automation** - Tigercat operates in daylight using a light-tight cassette or a high-volume plate feeder. Unmanned productivity is provided by direct integration into a digital workflow and direct connection to any suitable plate processor.

**Cost of ownership** - Tigercat is the best value platesetter for the commercial printing market. In addition to providing fast payback, it is built for reliability and ease of service, keeping operating costs low and ensuring an excellent long-term investment.

# Tigercat CTP System



*The ECRM Tigercat is the natural selection for commercial printers. The high value combination of quality imaging and production flexibility ensures you exceed the expectations of your customers, while achieving increased profitability through faster press start-ups and materials savings.*

## Features & Benefits

### Wide variety of press formats

- Four-page impositions
- Poster-size images up to 61.8x82.0 cm (24.3"x32.3")

### Flexibility to suit all applications

- Wide range of resolutions, 1270 to 3556 dpi
- Laser options, HeNe or FD YAG
- Silver halide or photopolymer metal plates
- 25-plate cassette or high capacity automated plate feeder
- Daylight operation
- Small footprint

## Quality imaging

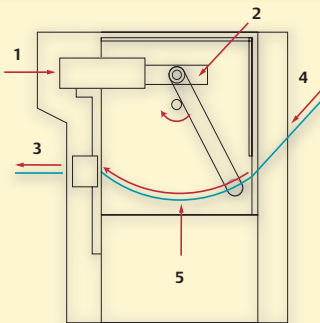
- Patented holographic imaging technology
- Repeatability within 25 microns (0.001")

## Fast throughput

- Automated unmanned operation
- Handles input from multiple RIPs

## Reliability

- Designed and manufactured to ISO 9001 standards
- Built for intensive day after day use



- 1 Laser lightsource - green or red
- 2 Sweeping optics assembly
- 3 Plate
- 4 Plate input via cassette or volume feeder
- 5 Curved plate bed

DEALER STAMP



**ECRM<sup>®</sup> Imaging Systems**

[www.ecrm.com](http://www.ecrm.com)

All ECRM products carry the CE mark. All products are CSA & CSA/NRTL certified. Class 1 Laser Products.

#### ECRM Headquarters:

554 Clark Road  
Tewksbury MA 01876  
USA  
Tel: (+1) 978.851.0207  
Fax: (+1) 978.851.7016  
[sales@ecrm.com](mailto:sales@ecrm.com)

#### ECRM Sales Offices:

18200 W. McDermott Street  
Suites E&F  
Irvine CA 92614  
USA  
Tel: (+1) 949.863.3001  
Fax: (+1) 949.863.3040  
[sales@ecrm.com](mailto:sales@ecrm.com)

3 Century Ct., Tolpits Lane  
Watford, Hertfordshire  
WD1 8RS, UK  
Tel: (+44) 1923.218.255  
Fax: (+44) 1923.218.256  
[sales\\_uk@ecrm.com](mailto:sales_uk@ecrm.com)

Room 1001, K. Wah Centre  
191 Java Road  
North Point, Hong Kong  
Tel (local): 2564.8989  
Tel (Intnl.): (+852) 8170.9000  
Fax: (+852) 2564.8821  
[sales\\_hk@ecrm.com](mailto:sales_hk@ecrm.com)

Room 603-604  
Beijing East Ocean Centre  
24A Jian Guo Men Wei Ave.  
Beijing, 100004 PR, China  
Tel: (+86) 10 6515.5675  
Fax: (+86) 10 6515.5674  
[sales\\_hk@ecrm.com](mailto:sales_hk@ecrm.com)